

TAB8

INFINITELY MOBILE



8" Screen LED 1280 X 800
PCAP Panel
E-money compatible
Camera
Bluetooth
WIRELESS
IP65



CONFIGURATIONS



TAB8



Black

TAB8

| | |
|--------------------------|---|
| Screen | 8" |
| Touch Panel | Multi-Touch (PCAP) |
| Brightness | 500 nits |
| Resolution | 1280 x 800 |
| Dust & water Proof | IP65 |
| Fall Security | 1.2m drop |
| Camera | 5MP |
| Sensor | G-sensor, Ambient light sensor, Hall sensor, Gyro |
| LED indicator | 1 |
| Vibrator | Vibrator motor |
| Wireless LAN + Bluetooth | 802.11 a/b/g/n/ac, 2.4G/5GHz, BT4.0+LE |

MODEL

TAB8

| | |
|------------------|---|
| Processor | Intel Cherry Trail |
| Memory / Storage | 4GB LPDDR3 / 64G eMMC |
| Expansion | 1 x Mini Slot-E Slot |
| Graphic Engine | Intel HD Graphic |
| Battery | 7454mAh, 3.85V, Battery life up to 8hrs |
| Power Adapter | 36W / 12V |

INPU/OUTPUT

| | |
|-----------------|-----------|
| Micro SD Socket | 1 |
| USB 3.0 | 1 Type C |
| Audio Jack | 1 |
| DC Jack | 1 x 2 pin |
| Audio speaker | 1 x 1W |
| POGO I/O Port | USB/Power |

OS COMPATIBLES

Win 10 IOT ENTRY (64 bit) & Android

DIVERS

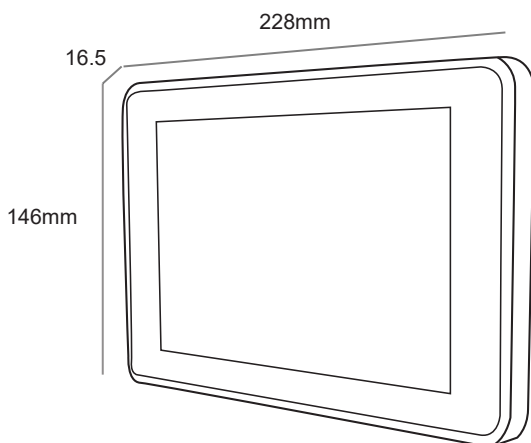
| | |
|-----------------------|--------------------------------|
| Dimensions W x D x H | 228 x 16.5 x 146mm |
| Weight | 600g |
| Colour | Black |
| Setup | Horizontal from 0° to 90° |
| Certifications | FCC/CE Class A, LVD, CE Mark |
| Operating temperature | 0°C ~ 40°C |
| Storage temperature | -10°C ~45°C |
| Humidity | 20% ~ 80% without condensation |

CONDITIONNEMENT

| | |
|----------------------|-------------------|
| Unité | 1 |
| Dimensions l x L x H | 400 x 500 x 340mm |
| Poids | 830g |

OPTIONS

- Cradle (5 slots)
- 3-Track MSR (USB)
- SCAN 2D
- Fingerprint
- Support TPE (mPOS) compatible: Ingenico iCMP, Verifone e355 et Miura M010
- Support TPE ID TECH VP3300



OPTIONS



Specifications are subject to change without notice. © OXHOO 2018

